

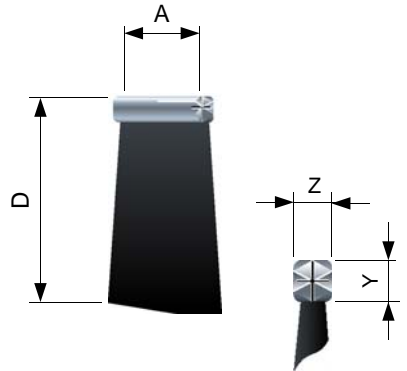
Product Information



For more information
Phone
0117 958 2450
Or visit
www.ksltd.com

SUPERSEAL

Brushstrip Standard range



Section dimensions

Superseal range brushstrip is manufactured in hardwearing nylon filament, encased in an electroplated steel channel. Standard range brushstrip can be used to seal, guide, protect or clean in a variety of environments

Features

- Eight nominal section sizes
- 2m, 2.5m and 3m standard lengths
- Trim heights up to 230mm
- Modified lengths and trims available on request

Light duty

Type	Section dim		Trim D	Fill material	Part number		
	Y	Z			2m length	2.5m length	3m length
M	2.00	1.70	13.00	Nylon black 0.10	H620M12013	H620M12513	H620M13013
			18.00	Nylon black 0.15	H620M12018	H620M12518	H620M13018
A	2.75	2.40	14.00	Nylon black 0.15	H620A12014	H620A12514	H620A13014
			19.00	Nylon black 0.15	H620A12019	H620A12519	H620A13019
B	3.85	3.80	19.00	Nylon black 0.15	H620B12019	H620B12519	H620B13019
			25.00	Nylon black 0.15	H620B12025	H620B12525	H620B13025
			32.00	Nylon black 0.15	H620B12032	H620B12532	H620B13032
			44.00	Nylon black 0.15	H620B12044	H620B12544	H620B13044

Medium duty

Type	Section dim		Trim D	Fill material	Part number		
	Y	Z			2m length	2.5m length	3m length
C	4.95	4.55	22.00	Nylon black 0.15	H620C12022	H620C12522	H620C13022
			32.00	Nylon black 0.15	H620C12032	H620C12532	H620C13032
			42.00	Nylon black 0.20	H620C12042	H620C12542	H620C13042
			57.00	Nylon black 0.20	H620C12057	H620C12557	H620C13057
D	6.50	6.10	19.00	Nylon black 0.20	H620D12019	H620D12519	H620D13019
			25.00	Nylon black 0.20	H620D12025	H620D12525	H620D13025
			32.00	Nylon black 0.20	H620D12032	H620D12532	H620D13032
			38.00	Nylon black 0.20	H620D12038	H620D12538	H620D13038
			48.00	Nylon black 0.20	H620D12048	H620D12548	H620D13048
			57.00	Nylon black 0.20	H620D12057	H620D12557	H620D13057
E	7.80	6.65	83.00	Nylon black 0.30	H620D12083	H620D12583	H620D13083
			51.00	Nylon black 0.30	H620E12051	H620E12551	H620E13051
			60.00	Nylon black 0.30	H620E12060	H620E12560	H620E13060
			76.00	Nylon black 0.30	H620E12076	H620E12576	H620E13076
			85.00	Nylon black 0.30	H620E12085	H620E12585	H620E13085
			110.00	Nylon black 0.40	H620E12110	H620E12510	H620E13110

Kleeneze Sealtech Limited
Ansteys Road, Hanham
Bristol BS15 3SS
Tel +44 (0)117 9582450
Fax: +44 (0)117 960 0141
Email: sales@ksl.uk.com
Web: www.ksltd.com

Product Information



For more information
Phone
0117 958 2450
Or visit
www.ksltd.com

SUPERSEAL

Brushstrip

Standard range

Heavy duty

Type	Section dim		Trim	Fill material	Part number		
	Y	Z	D		2m length	2.5m length	3m length
G	9.35	8.90	57.00	Nylon black 0.50	H620G12057	H620G12557	H620G13057
			76.00	Nylon black 0.30	H620G12076	H620G12576	H620G13076
			114.00	Nylon black 0.50	H620G12114	H620G12514	H620G13114
			162.00	Nylon black 0.50	H620G12162	H620G12562	H620G13162
H	12.15	11.75	229.00	Nylon black 0.90	H620H12229	H620H12529	H620H13229

All dimensions are in mm

How to specify

Select the required brush height (D) and thickness according to the size of gap to be sealed.

For modified products, select the standard part number and specify:

- ▶ Modified length (A)
- ▶ Brush trim (D)

Technical notes

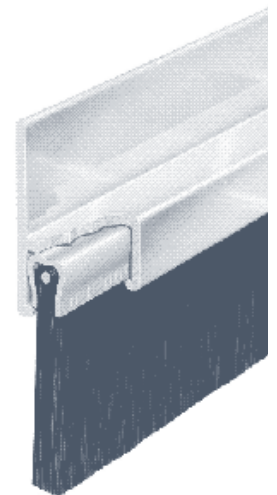
Cutting to length

Superseal should be cut to length with side action croppers to ensure the ends are completely resealed and avoid spillage of the filaments.

Aluminium carriers (where supplied) should be cut with a fine tooth saw and deburred. File a lead-in at one end of the carrier to aid assembly of the brushstrip.

Fitting

Superseal products should be fitted with the tips of the filaments in firm contact with the mating surface but barely flexed. Fixings should be positioned within 50mm of each end and at 300mm centres thereafter.



Superseal brushstrip is also available in a range of aluminum carriers

Kleeneze Sealtech Limited

Ansteys Road, Hanham
Bristol BS15 3SS

Tel +44 (0)117 9582450

Fax: +44 (0)117 960 0141

Email: sales@ksl.uk.com

Web: www.ksltd.com

Buy online



- ▶ Stock items normally despatched next day
Modified items within 5 days.